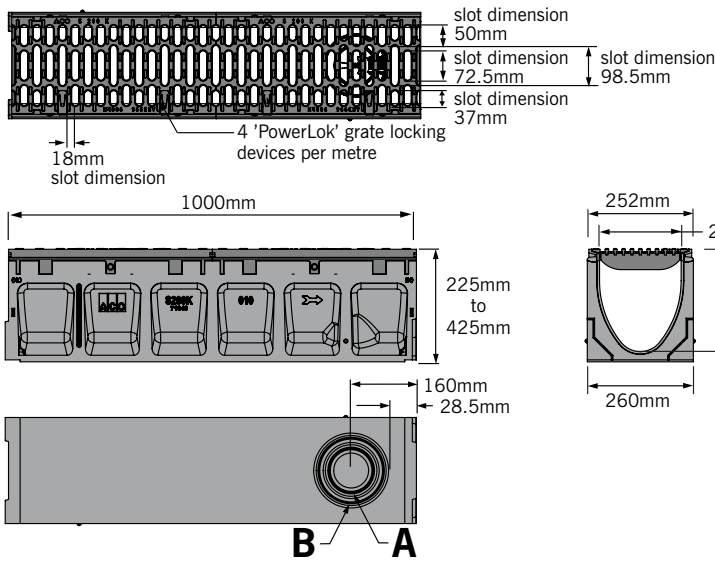
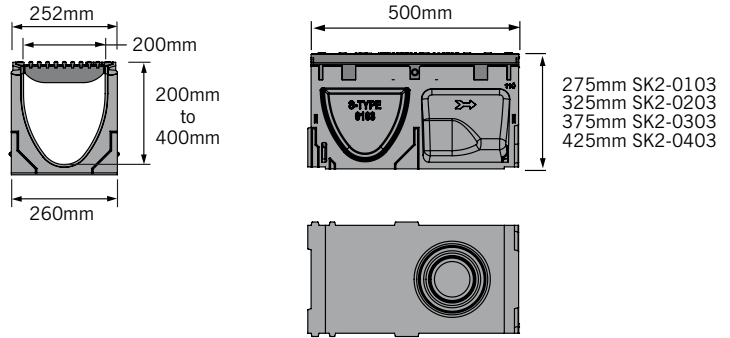




One metre channel

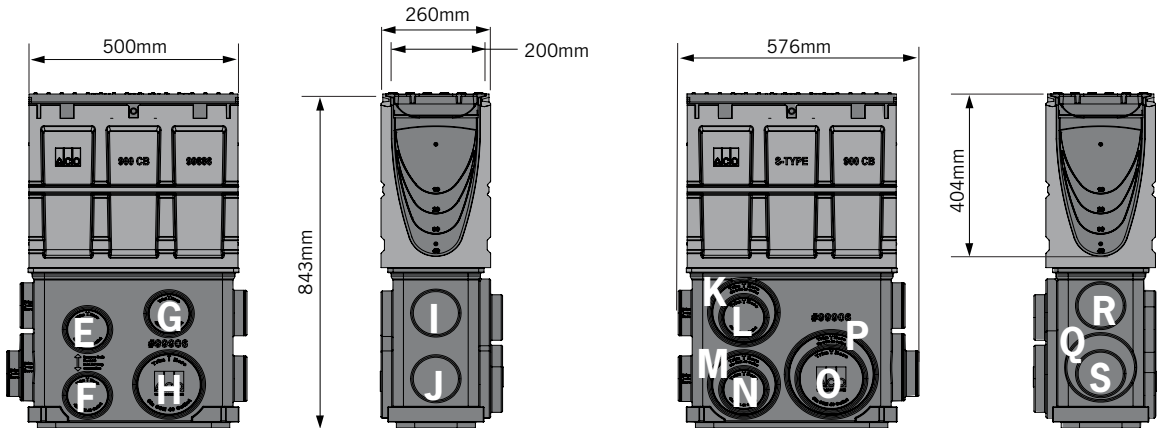


Half metre channel



Knock-outs included on every 5th channel

SK2-902 In-line pit

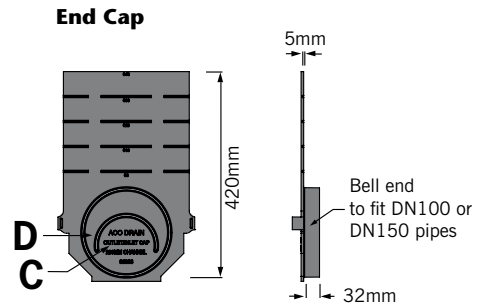


Total capacity = 72 litres

Outlet flow rates

Outlet	Product	Outlet size	Invert Depth (mm)	L/s
A	Bottom outlet - SK2-00	100mm round	200	10.1
A	Bottom outlet - SK2-040	100mm round	400	14.3
B	Bottom outlet - SK2-00	150mm round	200	22.8
B	Bottom outlet - SK2-040	150mm round	400	32.2
C	End outlet - SK2-00	100mm round	200	7.2
C	End outlet - SK2-040	100mm round	400	12.4
D	End outlet - SK2-010	150mm round	250	16.1
D	End outlet - SK2-040	150mm round	400	25.4
E	SK2-902	100mm round	643	16.7
F	SK2-902	100mm round	808	19.0
G	SK2-902	100mm round	604	16.1
H	SK2-902	150mm round	808	41.3
I	SK2-902	100mm round	607	16.1
J	SK2-902	100mm round	772	18.5
K	SK2-902	150mm round	627	35.1
L	SK2-902	100mm round	613	16.2
M	SK2-902	150mm round	808	41.3
N	SK2-902	100mm round	794	18.8
O	SK2-902	150mm round	794	40.8
P	SK2-902	200mm round	808	70.5
Q	SK2-902	150mm round	770	40.1
R	SK2-902	100mm round	589	15.8
S	SK2-902	100mm round	759	18.4

Note: These are the pipe flow rates at the specified outlet, NOT channel flow rates. In-line pit flow rates are without rubbish basket - using rubbish basket reduces flow.





Description	Part No.	Invert ² (mm)	Weight (kg)	Description	Part No.	Invert ² (mm)	Weight (kg)
SK2-00 Neutral channel - (1m) ¹	150141	200	65.1	SK2-28 Sloped channel - (1m)	150128	340	78.6
SK2-1 Sloped channel - (1m)	150101	205	65.1	SK2-29 Sloped channel - (1m)	150129	345	79.1
SK2-2 Sloped channel - (1m)	150102	210	65.6	SK2-30 Sloped channel - (1m) ¹	150130	350	79.6
SK2-3 Sloped channel - (1m)	150103	215	66.1	SK2-030 Neutral channel - (1m)¹	150147	350	79.6
SK2-4 Sloped channel - (1m)	150104	220	66.6	SK2-0303 Neutral channel - (0.5m)¹	150148	350	46.5
SK2-5 Sloped channel - (1m) ¹	150105	225	67.1	SK2-31 Sloped channel - (1m)	150131	355	80.2
SK2-6 Sloped channel - (1m)	150106	230	67.6	SK2-32 Sloped channel - (1m)	150132	360	80.7
SK2-7 Sloped channel - (1m)	150107	235	68.1	SK2-33 Sloped channel - (1m)	150133	365	81.2
SK2-8 Sloped channel - (1m)	150108	240	68.6	SK2-34 Sloped channel - (1m)	150134	370	81.7
SK2-9 Sloped channel - (1m)	150109	245	69.1	SK2-35 Sloped channel - (1m) ¹	150135	375	82.2
SK2-10 Sloped channel - (1m) ¹	150110	250	69.6	SK2-36 Sloped channel - (1m)	150136	380	82.7
SK2-010 Neutral channel - (1m)¹	150143	250	69.6	SK2-37 Sloped channel - (1m)	150137	385	83.2
SK2-0103 Neutral channel - (0.5m)¹	150144	250	41.0	SK2-38 Sloped channel - (1m)	150138	390	83.7
SK2-11 Sloped channel - (1m)	150111	255	70.1	SK2-39 Sloped channel - (1m)	150139	395	84.2
SK2-12 Sloped channel - (1m)	150112	260	70.6	SK2-40 Sloped channel - (1m) ¹	150140	400	84.7
SK2-13 Sloped channel - (1m)	150113	265	71.1	SK2-040 Neutral channel - (1m)¹	150149	400	84.7
SK2-14 Sloped channel - (1m)	150114	270	71.6	SK2-0403 Neutral channel - (0.5m)¹	150150	400	50.5
SK2-15 Sloped channel - (1m) ¹	150115	275	72.1	SK2-902 In-line pit (0.5m) ³	141781	843 ⁴	49.8
SK2-16 Sloped channel - (1m)	150116	280	72.6	Type 900 In-line plastic rubbish basket	13999	-	0.5
SK2-17 Sloped channel - (1m)	150117	285	73.1	Universal end cap	96823	420 ⁴	0.6
SK2-18 Sloped channel - (1m)	150118	290	73.6	Debris strainer for 100mm knockout	93488	-	0.1
SK2-19 Sloped channel - (1m)	150119	295	74.1	Installation device	97478	-	1.8
SK2-20 Sloped channel - (1m) ¹	150120	300	74.6	Grate removal tool	01318	-	0.1
SK2-020 Neutral channel - (1m)¹	150145	300	74.6	PowerLok safety clip	10443	-	-
SK2-0203 Neutral channel - (0.5m)¹	150146	300	44.4				
SK2-21 Sloped channel - (1m)	150121	305	75.1				
SK2-22 Sloped channel - (1m)	150122	310	75.6				
SK2-23 Sloped channel - (1m)	150123	315	76.1				
SK2-24 Sloped channel - (1m)	150124	320	76.6				
SK2-25 Sloped channel - (1m) ¹	150125	325	77.1				
SK2-26 Sloped channel - (1m)	150126	330	77.6				
SK2-27 Sloped channel - (1m)	150127	335	78.1				

Notes:

1. This channel offers bottom knockout feature; 100mm & 150mm round.
2. Inverts shown are male end, for female invert depths - subtract 5mm from male invert (except neutral channels where it will be the same as the male invert). To calculate overall channel depth, add 25mm to invert depth.
3. In-line pit assembly (polymer concrete top with ductile iron edge rail, PowerLok grate & plastic base).
4. Overall depth of in-line pit and end cap.
5. Channel and grate assembly come complete.

Specifications		Flexural Strength:	26 MPa	drainage. S200K sloped channels shall have a built-in slope of 0.5%. All channels shall be interlocking with a male/female joint.
General		Tensile Strength:	14 MPa	
The surface drainage system shall be ACO's PowerDrain S200K polymer concrete V-profile channel system with ductile iron edge rails as manufactured by ACO.		Water Absorption:	0.07%	
Materials		Frost Proof:	YES	
S200K channel shall be manufactured from polyester resin polymer concrete with integrally cast-in ductile iron edge rails. Properties of polymer concrete will be as follows with supporting documentation:		Coefficient of Expansion/Contraction:	2.02x10 ⁻⁵ /°C	
Compressive Strength: 98 MPa		Water Vapour Transmission:	0.0364g/m ²	
		Non Flammable:	YES	
		Roughness (Mannings):	n=0.011	
		Resistant to Weathering:	YES	
		Dilute Acid and Alkali Resistant:	YES	
		SF Sealant Groove:	YES	
		Channels		
		S200K channel shall be 200mm nominal internal width with an overall width of 260mm. Channel invert shall have a V-profile to allow efficient		
		Grates		
		Insert specification for the PowerDrain S200K Iron Slotted grate. Refer to the relevant ACO Specification Information sheet, click: http://www.acodrain.com.au/resources		
		Installation		
		The complete drainage system shall be by ACO and to be installed for its intended purpose. Any deviation or partial use of the specified system and/or improper installation will void all warranties provided by ACO.		

ACO Polycrete Pty Ltd Australia

Ph: 1300 765 226
www.acodrain.com.au
sales@acoaus.com.au

ACO Limited New Zealand

Ph: 0800 448 080
www.acodrain.co.nz
sales@aconz.co.nz

